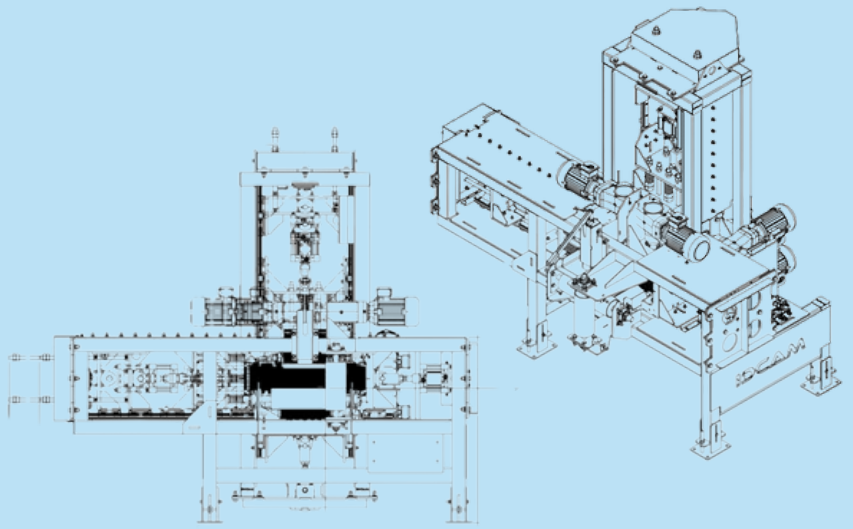


SPF Incisor

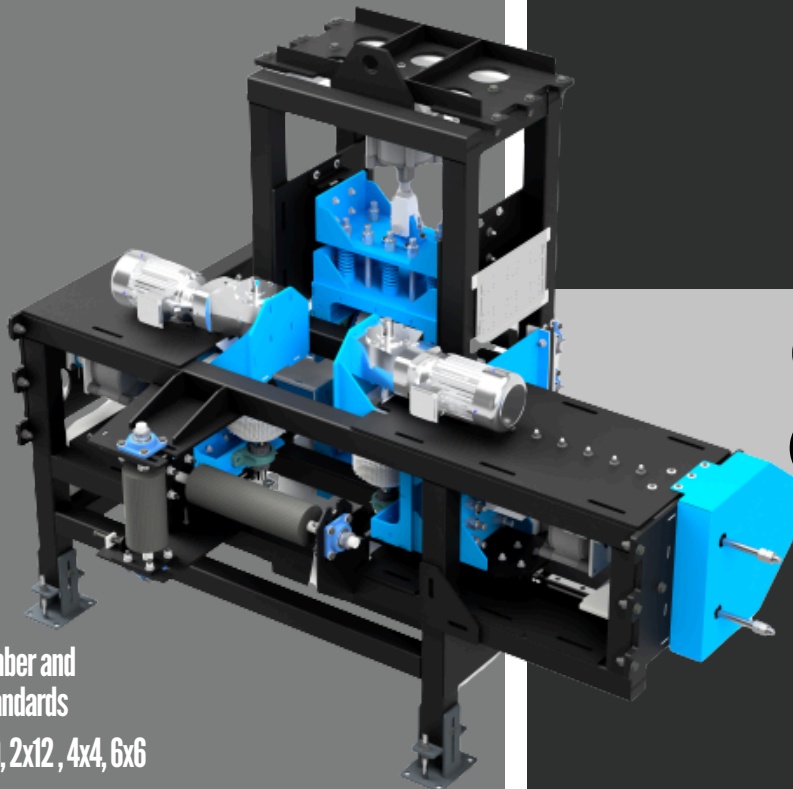


Fully automated

- Board adjustment automated by recipes
- Continuous discs cleaning
- Complete opening on 4 sides (no incision)
- Can be combined with in-line wood scanner

High-Performance

- Up to 900 feet/minute speed
- Fully electric
- Heavy duty
- High efficiency swedish steel incisor discs



Suitable for all Lumber and
Timber incision standards
2x4, 2x6, 2x8, 2x10, 2x12, 4x4, 6x6



514-360-1588



info@idcam-inc.com

Offered in all voltages
Three-phase 240V, 480V, 575V